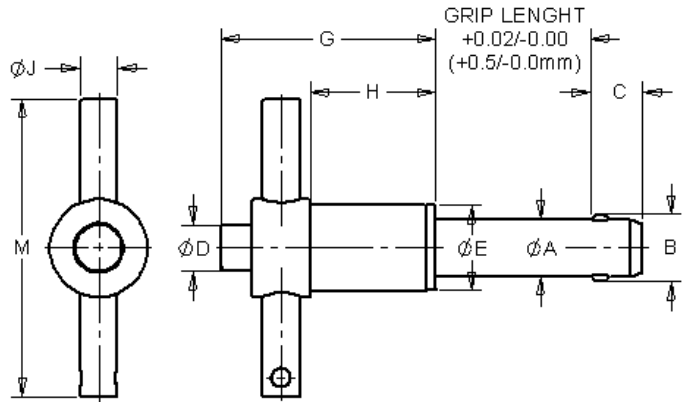


T-Handle



T-Handle Specifications – Inch

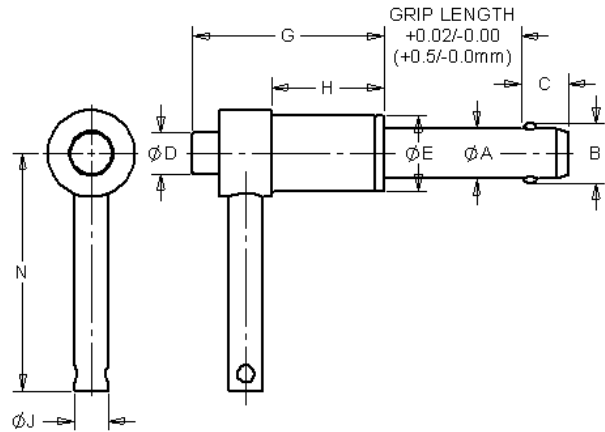
DIA	A MIN	A MAX	B +/- .005	C +0.00 / -0.04	D MIN	D MAX	E MIN	E MAX	F MIN	F MAX	G MAX	H MIN
3/16	0.1875	0.1885	0.220	0.260	0.250	0.310	0.380	0.500	1.750	1.815	1.270	0.800
1/4	0.2470	0.2485	0.289	0.290	0.250	0.310	0.380	0.500	1.750	1.815	1.270	0.800
5/16	0.3095	0.3110	0.375	0.330	0.250	0.310	0.380	0.500	1.750	1.815	1.270	0.800
3/8	0.3720	0.3735	0.440	0.365	0.300	0.390	0.510	0.625	1.935	2.065	1.450	0.850
7/16	0.4345	0.4360	0.509	0.380	0.300	0.390	0.510	0.625	1.935	2.065	1.470	0.850
1/2	0.4970	0.4985	0.594	0.460	0.435	0.565	0.630	0.800	2.220	2.345	1.600	0.885
9/16	0.5595	0.5610	0.666	0.510	0.435	0.565	0.630	0.800	2.220	2.345	1.600	0.885
5/8	0.6220	0.6235	0.750	0.580	0.450	0.580	0.810	0.940	2.250	3.100	1.700	0.980
3/4	0.7470	0.7485	0.887	0.670	0.570	0.700	0.810	1.000	2.500	3.100	1.720	1.030
7/8	0.8720	0.8735	1.046	0.760	0.700	0.840	1.120	1.300	2.750	3.520	2.170	1.310
1	0.9970	0.9985	1.209	0.890	0.750	0.950	1.180	1.320	2.750	3.520	2.170	1.310

T-Handle Specifications – Metric

DIA	A MIN	A MAX	B +/- .13	C +0.00 / -1.00	D MIN	D MAX	E MIN	E MAX	F MIN	F MAX	G MAX	H MIN
5MM	4.92	4.96	5.54	6.0	6.4	7.9	9.7	12.7	44.5	46.1	32.3	20.3
6MM	5.92	5.96	6.99	7.0	6.4	7.9	9.7	12.7	44.5	46.1	32.3	20.3
8MM	7.92	7.96	9.42	8.0	6.4	7.9	9.7	12.7	44.5	46.1	32.3	20.3
10MM	9.92	9.96	11.86	9.0	7.6	9.9	13.0	15.9	49.1	52.5	36.8	21.6
12MM	11.92	11.96	14.45	10.0	7.6	9.9	13.0	15.9	49.1	52.5	36.8	21.6
16MM	15.92	15.96	19.00	14.0	11.4	14.7	20.6	23.9	57.2	78.7	43.2	24.9
20MM	19.92	19.96	24.08	17.0	14.5	17.8	20.6	25.4	63.5	78.7	43.7	26.2
25MM	24.92	24.96	30.94	22.0	19.1	24.1	30.0	33.5	69.9	89.4	55.1	33.3

Dimensions in millimeters

L-Handle



L-Handle Specifications – Inch

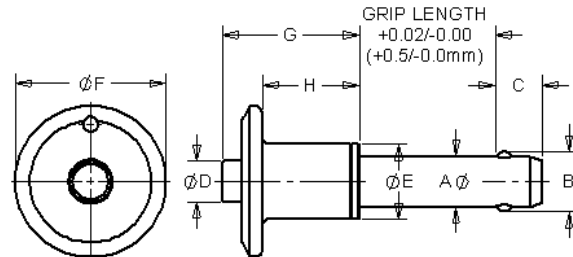
DIA	A MIN	A MAX	B +/- .005	C +0.00 / -0.04	D MIN	D MAX	E MIN	E MAX	F MIN	F MAX	G MAX	H MIN
3/16	0.1875	0.1885	0.220	0.260	0.250	0.310	0.380	0.500	1.720	1.800	1.270	0.760
1/4	0.2470	0.2485	0.289	0.290	0.250	0.310	0.380	0.500	1.720	1.800	1.270	0.760
5/16	0.3095	0.3110	0.375	0.330	0.250	0.310	0.380	0.500	1.720	1.800	1.270	0.760
3/8	0.3720	0.3735	0.440	0.365	0.300	0.390	0.510	0.625	1.945	2.030	1.450	0.850
7/16	0.4345	0.4360	0.509	0.380	0.300	0.390	0.510	0.625	1.945	2.030	1.450	0.850
1/2	0.4970	0.4985	0.594	0.460	0.435	0.565	0.630	0.800	2.230	2.360	1.600	0.850
9/16	0.5595	0.5610	0.666	0.510	0.435	0.565	0.630	0.800	2.230	2.360	1.600	0.850
5/8	0.6220	0.6235	0.750	0.580	0.450	0.580	0.810	0.975	2.385	3.070	1.700	0.905
3/4	0.7470	0.7485	0.887	0.670	0.570	0.700	0.810	1.000	2.465	3.070	1.720	0.980
7/8	0.8720	0.8735	1.046	0.760	0.700	0.840	1.120	1.320	2.750	3.700	2.170	1.200
1	0.9970	0.9985	1.209	0.890	0.750	0.950	1.180	1.320	2.750	3.700	2.170	1.200

L-Handle Specifications – Metric

DIA	A MIN	A MAX	B +/- .13	C +0.00 / -1.00	D MIN	D MAX	E MIN	E MAX	F MIN	F MAX	G MAX	H MIN
5MM	4.92	4.96	5.54	6.0	6.4	7.9	7.9	12.7	43.7	45.7	32.3	19.3
6MM	5.92	5.96	6.99	7.0	6.4	7.9	7.9	12.7	43.7	45.7	32.3	19.3
8MM	7.92	7.96	9.42	8.0	6.4	7.9	7.9	12.7	43.7	45.7	32.3	19.3
10MM	9.92	9.96	11.86	9.0	7.6	9.9	13.0	15.9	49.4	51.6	36.8	21.6
12MM	11.92	11.96	14.45	10.0	7.6	9.9	13.0	15.9	49.4	51.6	36.8	21.6
16MM	15.92	15.96	19.00	14.0	11.4	14.7	20.6	24.8	60.6	78.0	43.2	23.0
20MM	19.92	19.96	24.08	17.0	14.5	17.8	20.6	25.4	62.6	78.0	43.7	24.9
25MM	24.92	24.96	30.94	22.0	19.1	24.1	30.0	33.5	69.9	94.0	55.1	30.5

Dimensions in millimeters

Button Handle



Button Handle Specifications – Inch

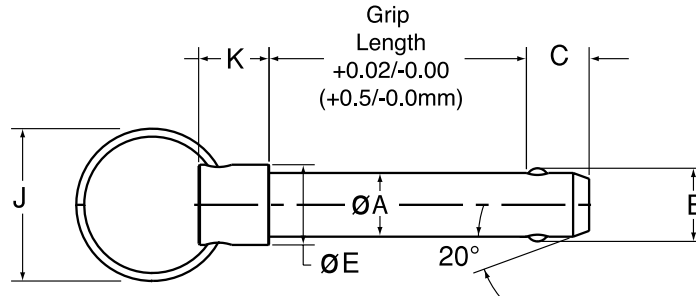
DIA	A MIN	A MAX	B +/- .005	C +0.00 / -0.04	D MIN	D MAX	E MIN	E MAX	F MIN	F MAX	G MAX	H MIN
3/16	0.1875	0.1885	0.220	0.260	0.250	0.310	0.310	0.440	0.720	0.800	0.830	0.480
1/4	0.2470	0.2485	0.289	0.290	0.250	0.310	0.310	0.440	0.720	0.800	0.890	0.480
5/16	0.3095	0.3110	0.375	0.330	0.250	0.310	0.410	0.490	0.810	1.135	0.930	0.480
3/8	0.3720	0.3735	0.440	0.365	0.300	0.390	0.450	0.570	0.875	1.135	1.040	0.620
7/16	0.4345	0.4360	0.509	0.380	0.300	0.390	0.550	0.625	0.940	1.400	1.160	0.620
1/2	0.4970	0.4985	0.594	0.460	0.435	0.565	0.600	0.725	1.300	1.400	1.190	0.720
9/16	0.5595	0.5610	0.666	0.510	0.435	0.565	0.680	0.760	1.400	1.650	1.410	0.950
5/8	0.6220	0.6235	0.750	0.580	0.450	0.580	0.750	0.865	1.530	1.700	1.500	0.950
3/4	0.7470	0.7485	0.887	0.670	0.570	0.700	0.865	1.000	1.790	1.900	1.680	1.140
7/8	0.8720	0.8735	1.046	0.760	0.700	0.840	0.865	1.000	2.120	2.250	1.985	1.270
1	0.9970	0.9985	1.209	0.890	0.750	0.950	1.175	1.250	2.120	2.250	2.140	1.490

Button Handle Specifications – Metric

DIA	A MIN	A MAX	B +/- .13	C +0.00 / -1.00	D MIN	D MAX	E MIN	E MAX	F MIN	F MAX	G MAX	H MIN
5MM	4.92	4.96	5.54	6.0	6.4	7.9	7.9	11.2	18.3	20.3	21.1	12.2
6MM	5.92	5.96	6.99	7.0	6.4	7.9	7.9	11.2	18.3	20.3	22.6	12.2
8MM	7.92	7.96	9.42	8.0	6.4	7.9	10.4	12.4	20.6	28.8	23.6	12.2
10MM	9.92	9.96	11.86	9.0	7.6	9.9	11.4	14.5	22.2	28.8	26.4	15.7
12MM	11.92	11.96	14.45	10.0	7.6	9.9	14.0	15.9	23.9	35.6	29.5	15.7
16MM	15.92	15.96	19.00	14.0	11.4	14.7	19.1	22.0	38.9	43.2	38.1	24.1
20MM	19.92	19.96	24.08	17.0	14.5	17.8	22.0	25.4	45.5	48.3	42.7	29.0
25MM	24.92	24.96	30.94	22.0	19.1	24.1	29.8	31.8	53.8	57.2	54.4	37.8

Dimensions in millimeters

Heavy Duty Detent Pins



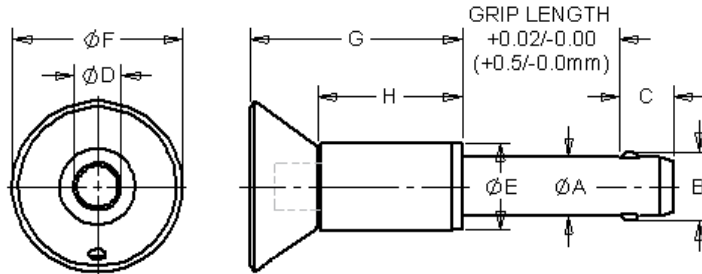
Specifications – Inch

Nom. Pin Dia	Dia. +0.000/-0.003 A	Min. B	+0.00/-0.06 C	Dia. +/-0.015 E	Dia. J	K	Double Shear Strength – (lbs)	Pull Out Force (lbs)	Recommended Hole Diameter	
									Stainless	Max
3/16 (#10)	.1885	.200	.250	.375	1.187	.50	5,262	2 to 7	0.1940	0.1900
1/4	.2480	.280	.344	.375	1.187	.50	9,537	2 to 7	0.2540	0.2500
5/16	.3105	.360	.359	.438	1.187	.50	15,075	2 to 7	0.3165	0.3125
3/8	.3730	.430	.390	.500	1.187	.50	22,050	6 to 14	0.3790	0.3750
7/16	.4355	.495	.469	.625	1.187	.55	30,438	6 to 14	0.4425	0.4375
1/2	.4980	.570	.516	.625	1.187	.55	39,263	10 to 22	0.5050	0.5000
9/16	.5605	.645	.593	.625	1.687	.55	49,731	15 to 30	0.5675	0.5625
5/8	.6230	.720	.672	.750	1.687	.55	61,736	15 to 30	0.6300	0.6250
3/4	.7480	.860	.750	.875	1.687	.55	88,442	15 to 30	0.7570	0.7500
7/8	.8730	1.030	.859	1.000	2.187	.55	121,500	20 to 35	0.8820	0.8750
1	.9980	1.160	.984	1.125	2.187	.55	158,998	20 to 40	1.0100	1.0000

Specifications – Metric

Nom. Pin Dia	Dia. +0.000/-0.080 A	Min. B	+0.0/-1.5 C	Dia. +/-0.4 E	Dia. J	K	Double Shear Strength – (kN)	Pull Out Force	Recommended Hole Diameter	
									Stainless	Max
5	4.95	5.23	6.35	9.53	30.15	12.7	25	9 to 31	5.1	5
6	5.95	6.88	8.74	9.53	30.15	12.7	36	9 to 31	6.1	6
8	7.95	9.35	9.12	11.13	30.15	12.7	69	9 to 31	8.1	8
10	9.95	11.58	9.91	12.70	30.15	12.7	107	26 to 62	10.1	10
12	11.95	13.84	13.11	15.88	30.15	14.2	154	44 to 97	12.1	12
16	15.95	18.54	17.07	19.05	42.85	14.2	275	66 to 133	16.1	16
20	19.95	22.91	19.05	22.23	42.85	14.2	433	89 to 155	20.15	20
25	24.95	29.18	24.99	28.58	55.55	14.2	682	89 to 178	25.15	25

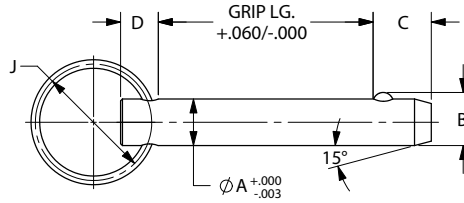
Dimensions in millimeters



Pin Specifications – Inch

DIA	A MIN	A MAX	B +/- .005	C +0.00 / -0.04	D MIN	D MAX	E MIN	E MAX	F +/- .020	G +/- .020	H +/- .020
3/16	0.1870	0.1885	0.220	0.260	0.250	0.310	0.310	0.530	0.800	0.990	0.710
1/4	0.2470	0.2485	0.289	0.290	0.250	0.310	0.310	0.530	0.800	0.990	0.710
5/16	0.3095	0.3110	0.375	0.330	0.250	0.310	0.410	0.590	0.800	1.050	0.780
3/8	0.3720	0.3735	0.440	0.365	0.300	0.390	0.450	0.650	1.090	1.375	0.930
1/2	0.4970	0.4985	0.594	0.460	0.435	0.565	0.600	0.800	1.040	1.320	0.930

Standard Duty Detent Pins



Specifications - Inch

Nom. Pin Dia.	+0.000/-0.003 A	B	C	D	J	Double Shear Strength (lbs)	Pull Out Force (lbs)	Recommended Hole Diameter	
								Max.	Min.
3/16	.1875	.204	.200	.187	1.00	2,530	4 - 6	.1930	.1890
1/4	.2500	.286	.312	.220	1.00	4,500	5 - 7	.2555	.2515
5/16	.3125	.358	.375	.250	1.00	7,100	5 - 7	.3180	.3140
3/8	.3750	.426	.500	.250	1.00	10,300	7 - 10	.3805	.3765
1/2	.5000	.486	.625	.250	1.25	18,400	10 - 14	.5065	.5015
5/8	.6250	.710	.750	.375	1.25	28,900	23 - 26	.6315	.6265
3/4	.7500	.856	.937	.375	1.50	41,800	24 - 27	.7585	.7515
1	1.000	1.140	1.250	.500	1.50	74,600	30 - 33	1.0115	1.0015